

EMVG-4400-H / EMVG-4400-H8

Small HDR test pattern generator

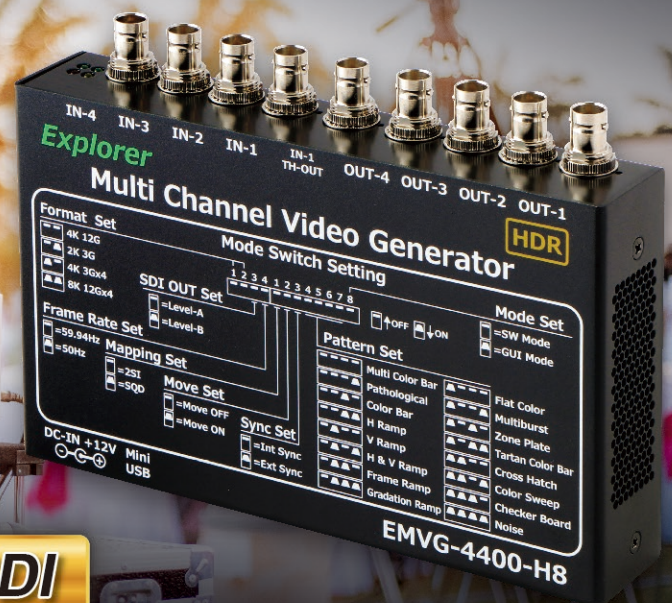
Test Pattern Generator × SDI Transmission Checking

It is equipped with a test pattern compatible with HDR.

The monitor and check function for SDI signals can be used from outdoor events to R & D.

- Small and light 12G-SDI 4 lines
- Equipped with HDR pattern
- Monitor and check for SDI signals
- Battery operation without PC

4K **8K** **HDR** **12G-SDI**

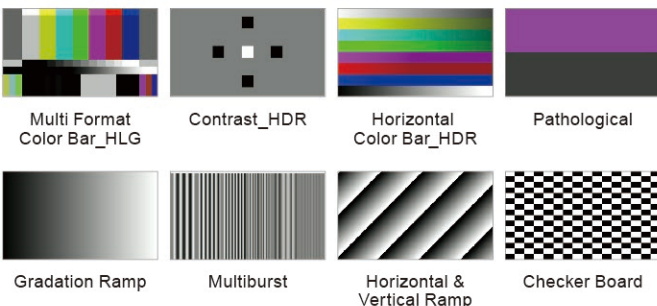


Feature

Full-fledged test pattern including HDR

In addition to standard multi-color bars compatible with HDR, it has full-scale functions specialized for image confirmation such as custom color bars and payload ID change functions.

Test pattern example



SW / GUI selectable user interface

The SW mode and GUI mode can be selected, and it supports a wide range of operation environments from PC-less operation at external events to full-scale operation in a laboratory.

Moving image functions such as scrolling

Supports test pattern scroll function, moving box function, moving random noise, moving CZP and other moving image functions

Playlist function

The test patterns can be output sequentially by determining the interval. It can be used for test images on the broadcast and quality check in the factory.



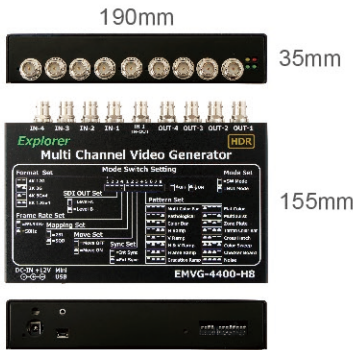
Explorer Inc.

Head Office: Hakodate TechnoPark, 379-22 Kikyo-cho, Hakodate, Hokkaido, 041-0801 Japan

Web: <https://www.explorer-inc.co.jp/> Mail to: sales@explorer-inc.co.jp



Equipment Appearance



PC Application for parameter setting

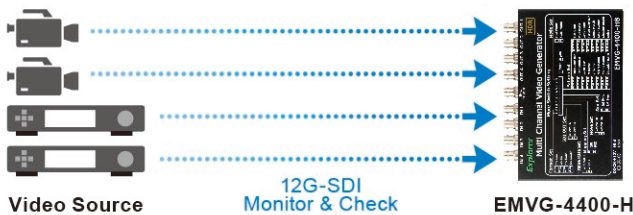
- USB remote operation**
 Connect to PC with USB cable and set parameters with included PC application.
- Import / Export setting information**
 The parameters saved using the app can be imported to another device.
- Saving parameter set**
 Setting parameters can be stored on the device by a PC application. The next time you start up, you can use the saved settings without connecting to your PC.



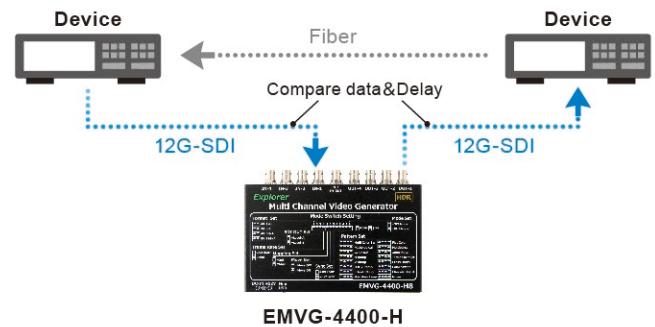
GUI Sample

SDI Line Monitor and Check Function, Data Check, Transmission Delay Measurement

- Input status readout function**
- Counting of normal and abnormal packets**
 Normal Packets : (Payload ID etc.)
 Abnormal Packets : (CRC etc.)



- Measurement of data & delay**



Equipment Specification

Category		EMVG-4400-H			EMVG-4400-H8			
Format		4K 12G	2K	4K 3G×4	4K 12G	2K	4K 3G×4	8K 12G×4
Video Input / Output		12G-SDI 4 Lines	3G-SDI 4 Lines	3G-SDI 1 Line	12G-SDI 4 Lines	3G-SDI 4 Lines	3G-SDI 1 Line	12G-SDI 1 Line
Image Format (Reference SMPTE Standard)		3840 × 2160p (ST2082 compliant)	1920 × 1080p (ST424 compliant)	3840 × 2160p (ST425 compliant)	3840 × 2160p (ST2082 compliant)	1920 × 1080p (ST424 compliant)	3840 × 2160p (ST425 compliant)	7680 × 4320p (ST2082 compliant)
Sampling / Bit Depth / Frame Rate		4:2:2 (Y'Cb'Cr) / 10Bit / (60Hz / 59.94Hz / 50Hz)						
Mapping		2SI	—	2SI, SQD	2SI	—	2SI, SQD	2SI, SQD
3G Mapping		—	LevelA, LevelB	LevelA, LevelB	—	LevelA, LevelB	LevelA, LevelB	—
Audio Format		48kHz (Synchronize with Video Clock), 24bit						
Audio Output Channel		8 CH / 1 Line						
Setting Interface		Piano SW, mini USB						
Test Pattern Signal	HDR	HLG Color Bar (ARIB STD-B72), PLUGS, Contrast Ratio Measurement, Customized Color Ramp						
	Multi Format Color Bar	(4K, 8K): ARIB STD-B66 UHD Multi Format Color Bar (2K): ARIB STD-B28 HDTV Multi Format Color Bar						
	Others	Pathological, Color Bar, Horizontal Ramp, Vertical Ramp, Horizontal & Vertical Ramp*, Frame Ramp, Gradation Ramp, 100% Flat Color, Custom Flat Color, Multiburst, Zone Plate*, Tartan Color Bar*, Cross Hatch*, Color sweep*, Checker Board, Random Noise						
Test Audio Signal	Group	4 CH × 2 Group *Audio output is only one line						
	Frequency / Signal Level	Mute, 400Hz, 800Hz, 1kHz, 2kHz, 3kHz, 4kHz, 6kHz, 8kHz / -18dB, -20dB *Frequency set for each channel group						
Functions	Test Signal Generation	Input through function, Over Lap*, Input Synchronization Function, Scroll, Moving BOX Display*, Cross Line Display*, Payload ID change etc.						
	Transmission Line Checking	Normal / Abnormal packet count, SDI Status Monitor, Transmission Data Compare, Latency Measurement						
Equipment Specifications	Operating Temperature / Humidity / Environment	0°C ~ 40°C / 30% ~ 80% (Non-condensing) / Indoor						
	Power Supply Voltage / Power Consumption	DC12V / Maximum 23W						
	Dimension / Weight	(H) 35.0 × (W) 190 × (D) 115 mm / 550g						
	Accessories	AC adapter, CD-ROM (PC Application for Setting, Instruction Manual)						
Optional item	V Mount Battery Plate (EMVG-P-V212), Connection Cable (EMVG-C-DTAP)							

*: Not installed on EMVG-4400-H8

Appearance and specifications are subject to change without notice. The color of the catalog and the actual product may differ slightly due to printing. The contents of this catalog are as of the end of April 2019.